

DELTA P - PRESSURE REDUCING VALVE



Knowsley SK Limited - Designer and Manufacturer of Fire Fighting Equipment & Systems

We know Fire. We know safety. We know you.





Established in 1896, Knowsley SK Ltd has an enviable reputation for manufacturing quality fire fighting equipment and systems for high-value asset protection that can be relied upon whenever danger strikes.

01 Product Overview

The Knowsley SK Ltd "Delta P" pressure reducing hydrant valve is for use on oil, gas and petro-chemical sites, oil rig platforms or wet rising mains in buildings. The valve is designed to maintain a safe constant outlet pressure irrespective of varying inlet pressure suitable for use on sites even where high or low ambient temperatures are experienced.

- The "Delta P" valve can be used on fire mains with a working pressure as high as 20 barg.
- Normal factory set outlet pressure : 4.5 barg (adjustable on site).
- Manufactured from high quality materials enabling use with fresh, brackish, or seawater.
- The standard configuration has the inlet flanged 3" ANSI 150# FF and the outlet is 2 ½" instantaneous female to BS 336 -1980 complete with gunmetal blank cap and stainless steel chain.
- The "Delta P" valve has a performance capability in accordance with BS 5041 part 1 (1987) high pressure valves.

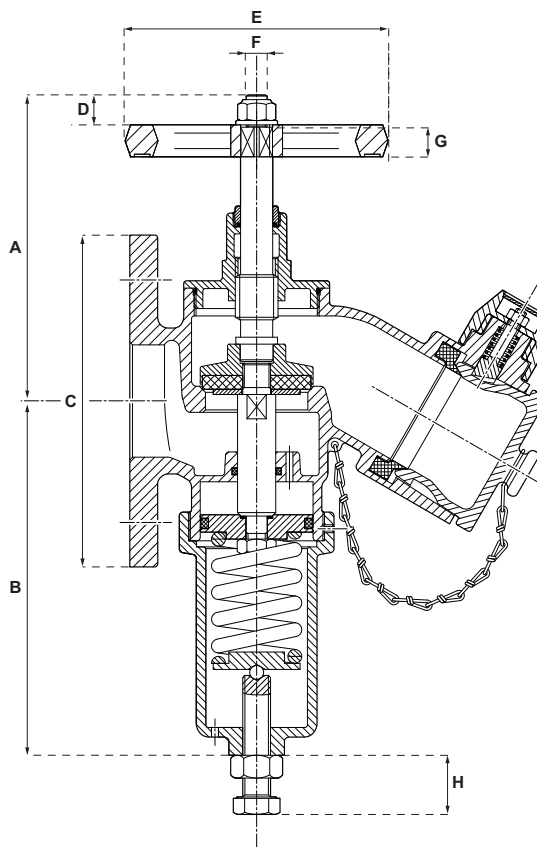


Figure 1. Delta P Pressure Reducing Valve Dimensions

02 Overall Dimensions

Table 1. Overall Dimensions

Measurement	Size (mm)
A	175 - fully closed, 196 - fully open
B	205
C	Ø190.5
D	17
E	Ø152
F	M12
G	17
H	Max 60

See figure 1 for corresponding drawing

03 Product Materials

The Delta 'P' pressure reducing valve is manufactured from the following high grade materials:

- Body** - BS EN 1982 CC491K-GS
- Cover** - BS EN 1982 CC491K-GS
- Stem** - CW710R
- Disk holder** - CW710R
- Disk** - Nitrile



Knowsley SK Limited, Centrepoint, Marshall Stevens Way, Trafford Park, Manchester M17 1AE
Tel: +44(0)161 872 7511 Fax: +44(0)161 848 8508 Email: Sales@knowsleysk.co.uk Web: www.knowsleysk.com

Registered in England No. 1789152 VAT No:383475131



Our Century of experience, continuous product development and world-wide support network provides the confidence for clients to select Knowsley SK as their first choice for asset protection whatever, whenever and wherever the risk



04 Product Details

Inlet flange -3" ANSI 150# FF

- All recognised international flanges available upon request.
- Male or female threaded inlets to BSP/NST/NPT, or metric threads also available upon request.

Outlet connection - female instantaneous 2 ½" BS336 - angled downwards at 30 degrees

- Screwed outlets adapted to fit all international hose connections are available eg Storz, NST,GOST, Symetrique etc
- Outlet pressure is continuously adjustable between 3 and 10 barg
- Test pressure 30 barg
- Outlets are available fitted with blank caps (Gunmetal / neoprene / plastic) and stainless steel chain.



Figure 3. Typical Delta P valve arrangement

05 Spares Information

Please contact our dedicated spares department at spares@knowsleysk.co.uk for the components listed below:

1. X-Ring – Nitrile BA70
2. O ring – Nitrile BA70
3. O ring – Nitrile BA70
4. Disc Seal - Nitrile
5. X-Ring – Nitrile BA70
6. O ring – Nitrile BA70
7. Runner Button – Polythene
8. Spring
9. Washer

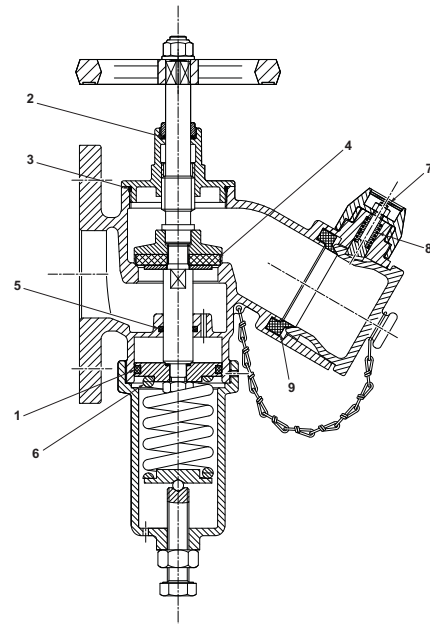


Figure 4. Delta P Valve Spares Detail



Knowsley SK Limited, Centrepoint, Marshall Stevens Way, Trafford Park, Manchester M17 1AE
Tel: +44(0)161 872 7511 Fax: +44(0)161 848 8508 Email: Sales@knowsleysk.co.uk Web: www.knowsleysk.com

Registered in England No. 1789152 VAT No:383475131

