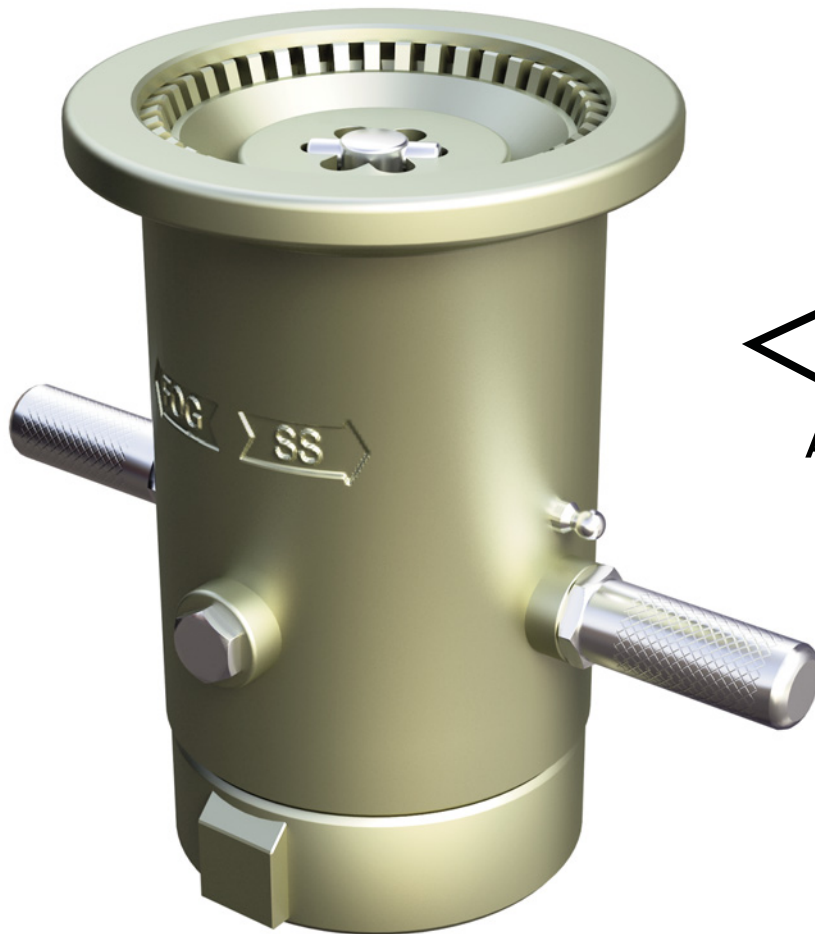


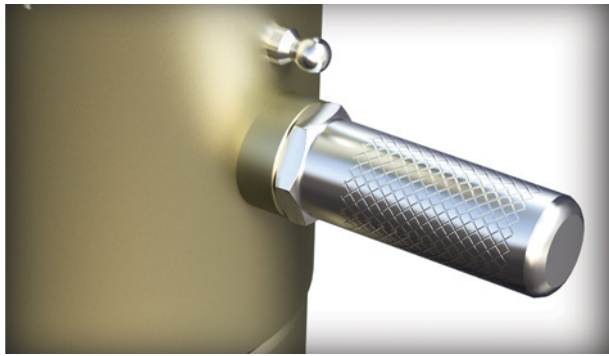
STRIKER 10 MONITOR NOZZLE



Knowsley SK Limited - Designer and Manufacturer of Fire Fighting Equipment & Systems

Strategic fire protection - when and where its' needed most





Established in 1896, Knowsley SK Ltd has an enviable reputation for manufacturing quality fire fighting equipment and systems for high-value asset protection that can be relied upon whenever danger strikes.

01 Key Features

- Corrosion resistant Bronze construction - UNS C83600
- Constant flow in all discharge patterns
- Combination nozzle - fog and straight jet
- Factory set to 1900 LPM - can be adjusted to 1140 or 2660 LPM in the field.
- Integral stream shaper for industry-leading range of throw
- Suitable for Onshore / Offshore / Marine use

The Striker 10 is a selectable flow jet / fog nozzle designed for use with the Knowsley range of fixed and oscillating monitors and AFFF foam systems.

The nozzle incorporates three flow positions – a powerful straight jet, an atomised spray and a wide-spreading cone of solid water fog for quickly extinguishing fires, driving smoke or laying dust.

Each of the flow conditions is controlled by a simple turn of the nozzle sleeve. In addition, three different flow rates are achievable via a manually adjustable spring-loaded baffle.

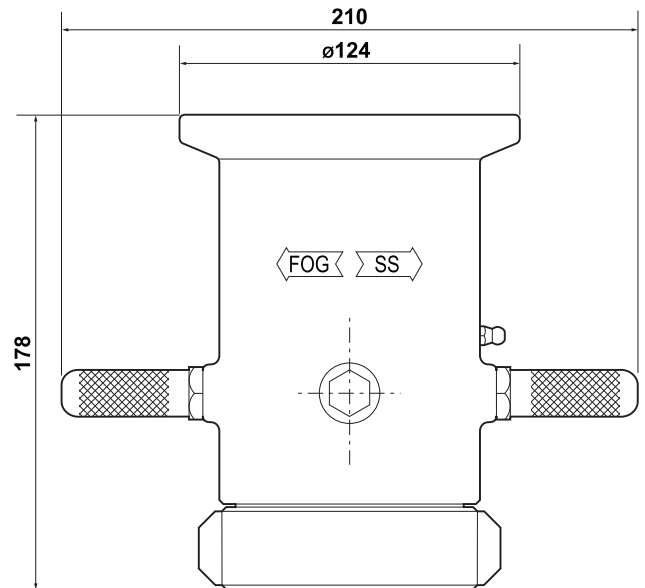


Figure 1. Outline dimensions in mm

02 General Data

Table 1. General Data

MODEL	PART NUMBER	FLOW SETTING (@ 7barg)	LENGTH		WEIGHT	
			mm	in	kg	lb
Striker 10	6020/X/1	1140 LPM	178	7	6.5	14
		1900 LPM				
		2660 LPM				

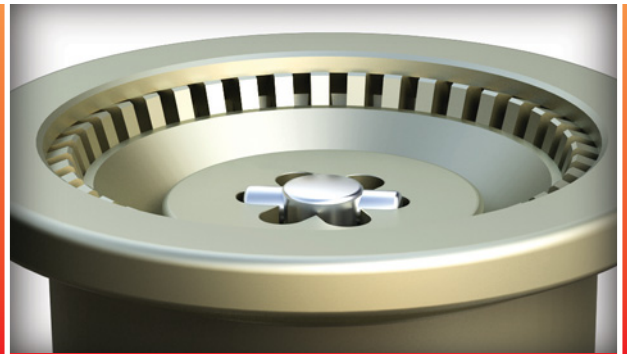


Knowsley SK Limited, Centrepoint, Marshall Stevens Way, Trafford Park, Manchester M17 1AE
Tel: +44(0)161 872 7511 Fax: +44(0)161 848 8508 Email: Sales@knowsleysk.co.uk Web: www.knowsleysk.com

Registered in England No. 1789152 VAT No:383475131



Our Century of experience, continuous product development and world-wide support network provides the confidence for clients to select Knowsley SK as their first choice for asset protection whatever, whenever and wherever the risk.



03 Striker Nozzles Approval

Striker 10 nozzles are Factory Mutual (FM) approved.



04 Product details



Figure 2. Spring-loaded baffle for easy change of flow setting



Figure 3. Integral stream shaper to maximise reach

05 Performance Data

Table 2. Striker 10 Nozzle - Performance Data

MODEL	Nozzle Inlet Pressure		Flow Setting		Actual Flow		Straight Stream Reach			
							Effective		Overall	
	psi	bar	usgpm	lpm	usgpm	lpm	ft	m	ft	m
Striker 10	75	5	300	1140	260	985	150	45	160	48
			500	1900	435	1645	175	53	185	56
			700	2660	605	2290	180	55	190	58
			300	1140	300	1140	170	51	180	54
			500	1900	500	1900	200	60	210	64
			700	2660	700	2660	205	61	215	65
	125	8.6	300	1140	335	1265	190	58	200	60
			500	1900	560	2120	220	67	230	70
			700	2660	785	2970	220	67	230	70



Knowsley SK Limited, Centrepoint, Marshall Stevens Way, Trafford Park, Manchester M17 1AE
 Tel: +44(0)161 872 7511 Fax: +44(0)161 848 8508 Email: Sales@knowsleysk.co.uk Web: www.knowsleysk.com

Registered in England No. 1789152 VAT No:383475131

